

Nice Appearance and Safety Design
for Floor Management.



FLOOR OUTLET SERIES

Flexible Combination

Various combination is possible by choosing socket outlets, data outlets, telephone modular from Panasonic wiring accessories.

Floor Outlet Aluminium BS-TYPE

DUF5200LT-1

Blank with Cover Unit
and Outlet Box

This Floor Outlet Box can be supplied
without socket.



Examples



Floor Outlet Aluminium A-TYPE

DUF1200LTK-1

Blank with Cover Unit
and Outlet Box

This Floor Outlet Box can be supplied
without socket.

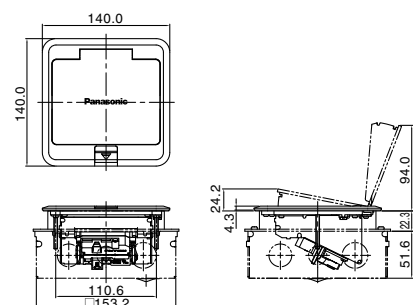


Examples

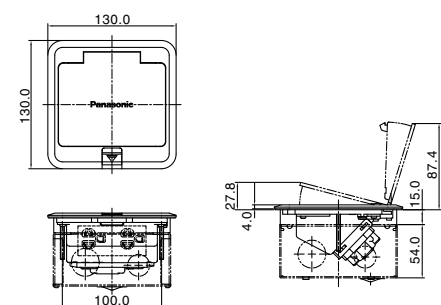


Dimension

Aluminium BS-TYPE



Aluminium A-TYPE

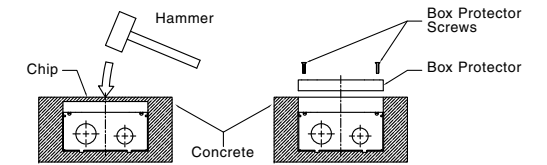


(Unit: mm)

Installation Procedure

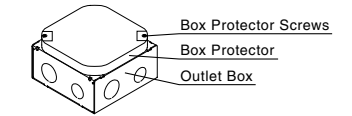
1. Embedding the Outlet Box

- (1) After the completion of plumbing,
install the cover unit with M4 screws.
*M4 screws included.



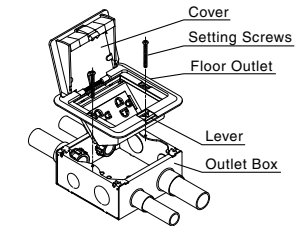
2. Making an Inlet for Cable

- (1) Hit at the center of the box protector with hammer
to make a hole.
- (2) Trim concrete along the rim of the box protector.
- (3) When install the Floor Outlet, loosen cover unit screws
to remove the box protector.



3. Install the Floor Outlet to the Outlet Box

- (1) Put the Floor Outlet into the Outlet Box by sliding
the lever. Fasten the setting screws after opening the cover.
(Adjustable degree of product is 6 degrees)
- (2) Check direction and position of the Floor Outlet.



Safety

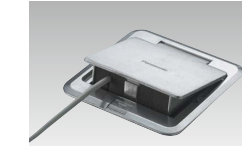
Water and Dust Protection

- IP44** protection level in closed position.
- Harmful ingress of water ; **Level 4**
Protection against splashing water.
(No damage by water splash from
any direction)
 - Harmful ingress of solid obstacles ; **Level 4**
Protection against substance bigger than 1.0 mm.
(No entry of fine cable, cloth, paper, board pieces)

Damage Protection

When the covers are closed, receptacles & plugs
are stored inside of floor outlets. It prevents damage
caused by fallen objects and treading.

Aluminium A-TYPE



Aluminium BS-TYPE



Socket Outlets

This product mounts **Panasonic-**
"FULL-COLOR WIDE SERIES" socket
outlets which conform to IEC60884-1.

Strong

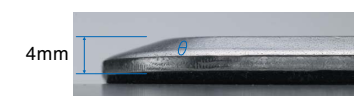
Scratch Resistance

Combination of tough material,
Aluminum(ADC12) & shot blast
finish on the surface achieves
high scratch resistance.



Nice Appearance

- Shot blast surface treatment achieves long
resistance, nice appearance and matches any
types of flooring.
- Natural appearance is achieved by surface
evenness due to low 4.0mm high floor plate and
mildly angled floor plate.



Environment

- RoHS directive in Europe complaint.
- Completely free from
Cd, Hg, Cr6+, Pb, PBBs, PBDEs.

We have achieved

- Lead free welding
- Cadmium-free contact
- Hexavalent chromium-free plating