

1. Embedding the Outlet Box

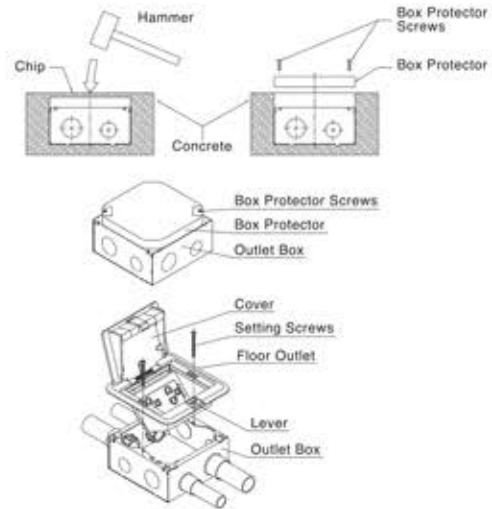
- (1) After the completion of plumbing, install the cover unit with M4 screws.
*M4 screws included.

2. Making an Inlet for Cable

- (1) Hit at the center of the box protector with hammer to make a hole.
- (2) Trim concrete along the rim of the box protector.
- (3) When install the Floor Outlet, loosen cover unit screws to remove the box protector.

3. Install the Floor Outlet to the Outlet Box

- (1) Put the Floor Outlet into the Outlet Box by sliding the lever. Fasten the setting screws after opening the cover.
(Adjustable degree of product is 6 degrees)
- (2) Check direction and position of the Floor Outlet.



Floor Box-3 Compartments for concrete floor

DUMF6200LT-1

The three-compartment floor box for British Standard power and data outlets, flexible combination for various applications

SIMPLE LID REVERSING

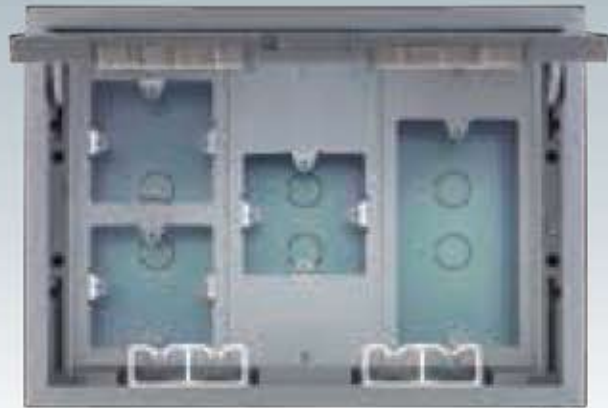
Quick and easy releasing lid by moving it to the unlock position

OPTIONAL DEVICES DIRECTION

Power and Data devices can be adjusted to 4 directions (for single devices)

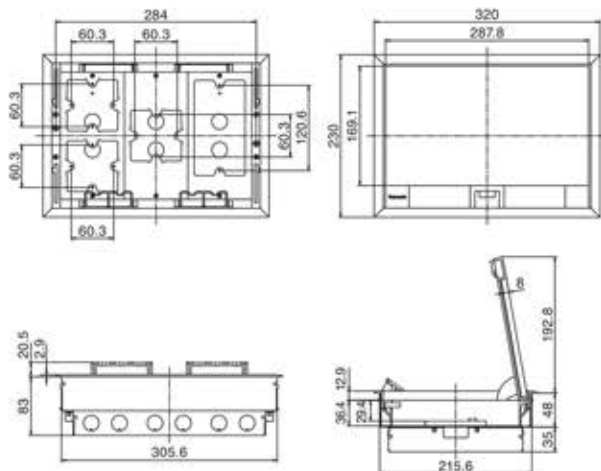
6 DEVICES MOUNTABLE

Multiple combination of Power and Data up to 6 modules maximum



IP2X

Dimension



Installation

How To Mount

After putting the concrete on, make the hole to install the product.

- (1) Take the box protector off

- (2) Insert the Floor Outlet Unit

